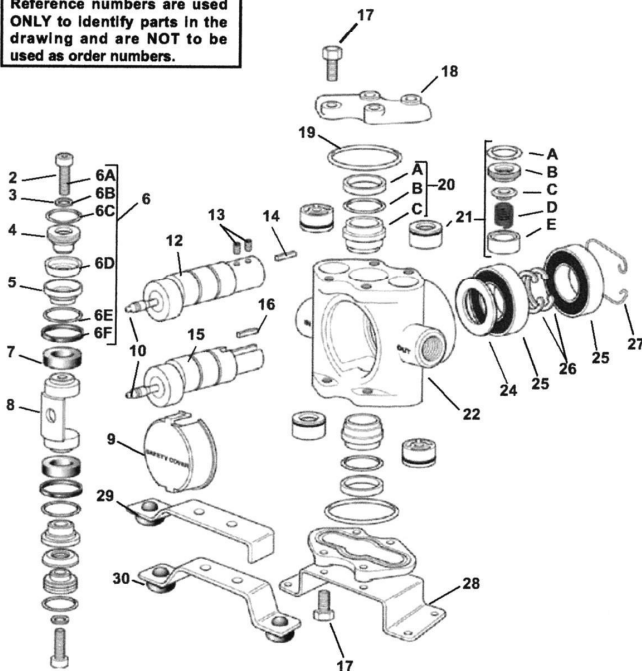


HYPRO 5315C-HX PISTON PUMP

**NOTE:** When ordering parts, give **QUANTITY, PART NUMBER, DESCRIPTION, and COMPLETE MODEL NUMBER.** Reference numbers are used **ONLY** to identify parts in the drawing and are **NOT** to be used as order numbers.



**Piston Stack Parts Kit**

**Rubber Cup Kit No. 3430-0009**

Consists of two each of the following parts: No. 2220-0012 Piston Cap Screw (Ref. 6A), No. 2270-0011 Washer (Ref. 6B), No. 1720-0029 O-ring (Ref. 6C), No. 2150-0005 Rubber Cup (Ref. 6D), No. 1720-0039 O-Ring (Ref. 6E), and No. 1440-0008 Seal Ring (Ref. 6F).

**Piston Stack and Guide Parts Kits**

**Rubber Cup and Guide Kit No. 3430-0010**

Consists of Rubber Cup Kit No. 3430-0009 plus two No. 1440-0004 Piston Guides.

**Crankshaft Assemblies**

Sub-Assemblies include Shaft (Ref. 12) with Cam Bearing, Grease Fitting Assembly (Ref. 10), Set Screws for Hollow Shaft (Ref. 13) and Spline Key (Ref. 14).

Complete Assemblies include the Sub-Assembly plus parts identified by Reference Numbers 24-26.

**with 5/8" (I.D.) Hollow Shaft (Ref. 12)**

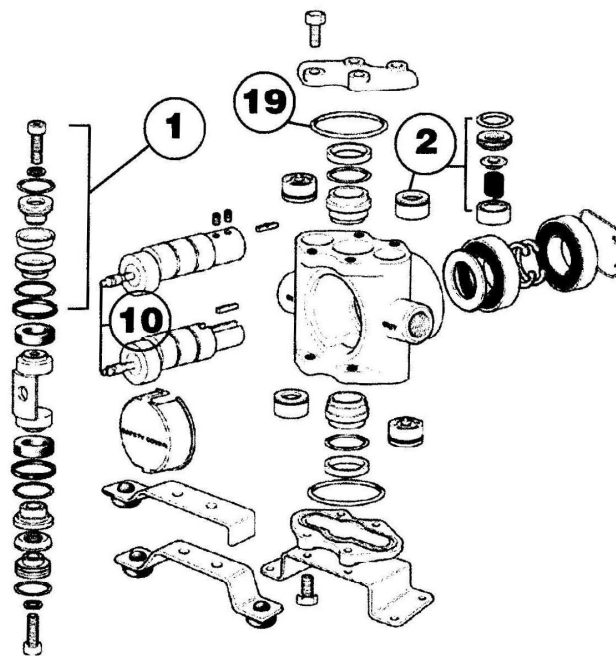
Sub-Assembly Part No.	Complete Assembly Part No.
5501-5315	5500-5315

Ref. No.	Qty. Req'd.	Part No.	Description
2	2	2220-0012	Piston Cap Screw
3	2	2270-0011	Washer
4	2	1830-0017	Piston Cup Spreader
5	2	1410-0030	Cup Backing Plate
6	1		Piston Stack Parts Kit (see listing above)
7	2	1440-0004	Piston Guide
8	1	0502-5300	Connecting Rod
9	1	0608-5300	Safety Cover
10	1	2405-0006	Grease Fitting Assembly
12	1		Crankshaft Assemblies — Hollow Shaft
		5500-5315	Complete Assembly
		5501-5315	Sub-Assembly
13	2	2230-0017	Set Screw for Hollow Shaft
14	1	1610-0011	Spline Key for Hollow Shaft
17	8	2210-0062	Cylinder Head Bolt
18	2	0204-5300C	Cylinder Head (Cast Iron)
19	2	1720-0038	O-ring for Cylinder Head
20	1	3430-0209	Ni-Resist Cylinder Sleeve Assembly Consists of two each of No. 1830-0033 Retainer (Ref. A), No. 1720-0079 O-ring (Ref. V), and No. 3550-0018 Sleeve (Ref. C)

Ref. No.	Qty. Req'd.	Part No.	Description
21	1 set	3430-0197	Set of four No. 3400-0073 Unitized Valve Assemblies: Consists of four each: O-ring (Ref. A), Valve Seat (Ref. B), Valve Poppet (Ref. C), Valve Spring (Ref. D), Valve Spring Retainer (Ref. E)
22	1	0108-5300C	Body (Cast Iron)
24	1	2130-0007	Bearing Shield
25	2	2008-0001	Main Bearing (Ball Bearing)
26	2	1810-0013	Bearing Retainer Ring (shaft)
27	1	1820-0025	Bearing Retainer Ring (housing)
28	1	1510-0056	Mounting Base
29	1	2820-0040	Torque Arm - for Electric Motor Mounting
30	1	2820-0042	Torque Arm - for Gas Engine Mounting

---

**MODELS 5315 - CHRX AND 5322C-H**



Ref #	Part #	Description
	720010	Hypro 5315 CHRX Pump 500 PSI
	721401	Hypro 5322 C-H Pump 1200 PSI
1	720011	Hypro 5215 Repair Kit- 500 PSI
1	721403	Hypro 5322 Repair Kit - 1200 PSI
2	720012	Hypro Valve Set of 4 - 500 & 1200 PSI
19	720013	Hypro O-Ring for Cylinder Head
10	720014	Hypro Grease Fitting

---